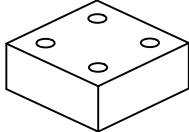
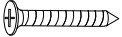
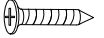
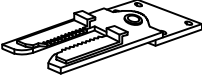



MD 1845-FR Module (DUKE)

HARDWARE AND COMPONENT

- A

x4
- B

x 16
(+2 extra)
Ø4x40mm
- C

x 18
(+2 extra)
Ø4x30mm
- D

x 2
- E

x 2

PEOPLE REQUIRED



MADE IN VIETNAM

