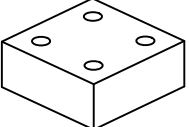
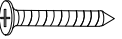
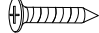
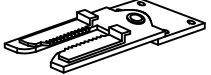
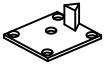


MD 1845-Corner Module (DUKE)

HARDWARE AND COMPONENT

- A**  x4
- B**  x 16
(+2 extra)
- C**  x 18
(+2 extra)
- D**  x 2
- E**  x 2

PEOPLE REQUIRED



MADE IN VIETNAM

